



Supreme Stands  
for HVAC Equipment

18550 County Rd. 81  
Maple Grove, MN 55369  
763-428-3677

# Reversible Stands for Air Conditions & Heat Pumps

Fits

Bryant, Carrier, Payne, etc.

## Why under AC's

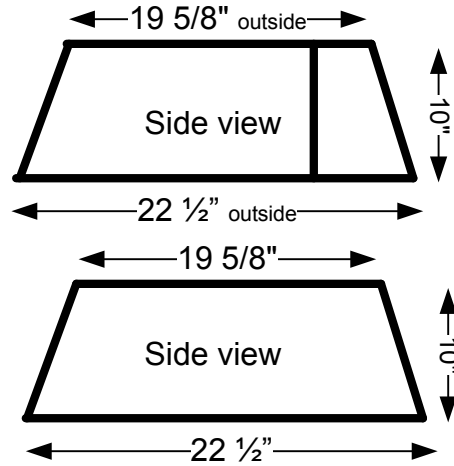
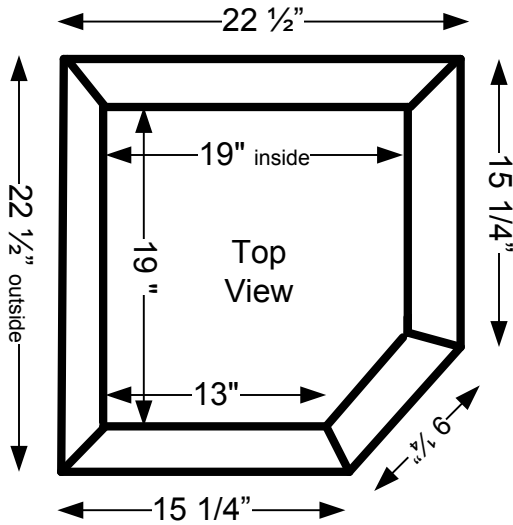
- Reversible
- Powder coated
- Distributes weight evenly
- Keeps from saddling
- Holds up to 2,000 lbs.
- Stackable (less space)
- Pallet quantity (42)
- Looks professional



- Easier to service
- Keep dogs from urinating on unit
- Protect from mowing and weed whipping
- Keep mice out of unit
- Low ground or flooding

Part#: HPS1923

Fits 23x23 & 26x26" units



Part#: HPS2430

Fits 31x31 & 35x35" units

