



Supreme Stands
for HVAC Equipment

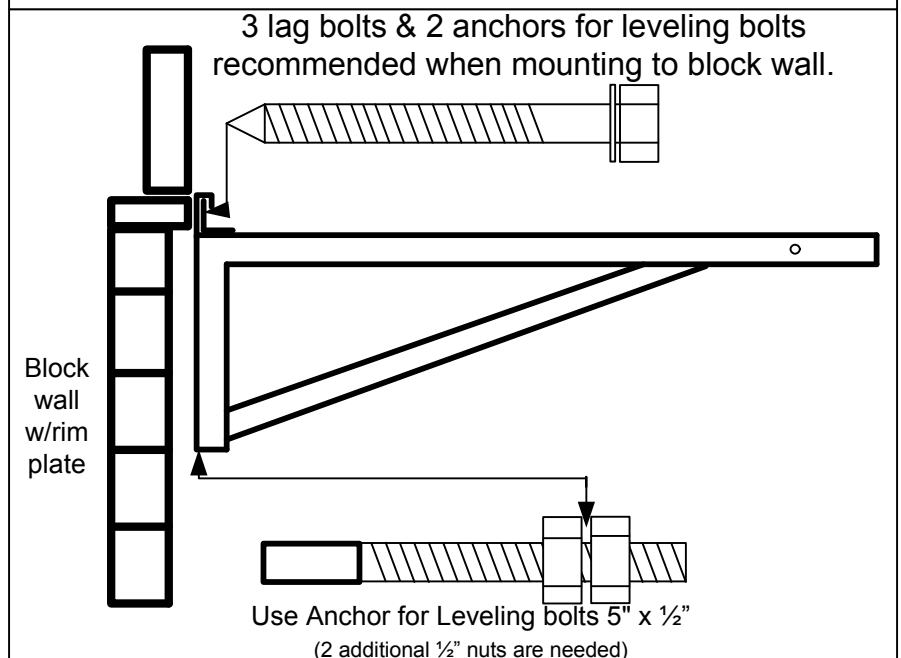
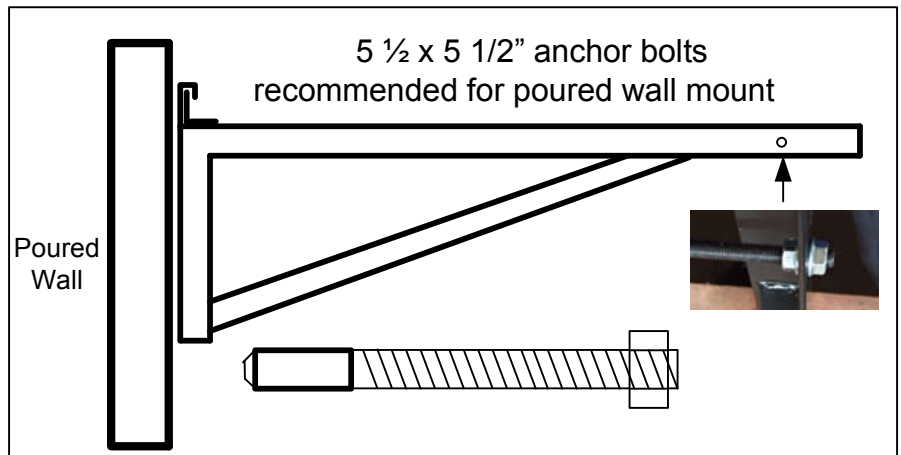
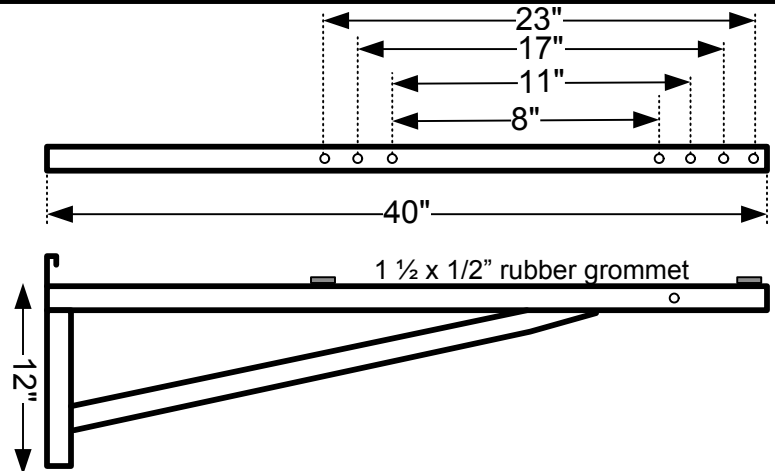
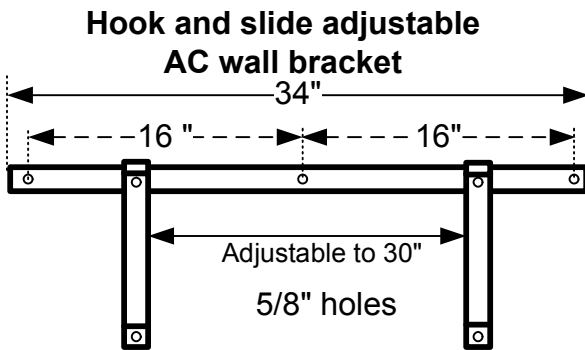
18550 County Rd. 81
Maple Grove, MN 55369
763-428-3677

Universal AC Wall Bracket

Part #ACWB-40

- Powder coat finish (rust resistant)
- Mounted on rubber vibration eliminators
- Sturdy wall bracket
- Hardware included
- (450 lb. max)

Part #ACWB-40



Hardware Include:

- 4- 1 1/2" x 1/2" rubber grommet
- 4- 1" x #10 Screws
- 4- 3/16" bonded washers
- 5- 1/2" x 5 1/2" anchor bolts w/washer (concrete mount)
- 3- 1/2" x 5" lag bolts w/washer (wood mount)
- 1- 32" x 3/8" threaded rod w/4 nuts for spacer.