



Supreme Stands
for HVAC Equipment

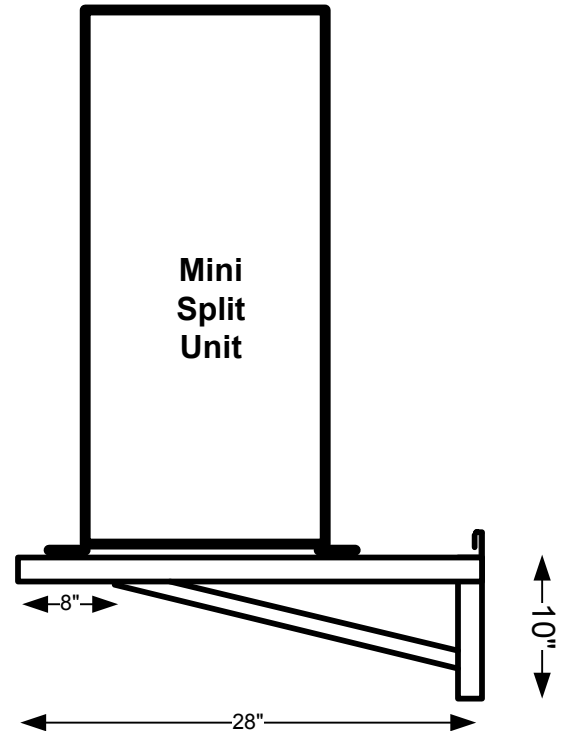
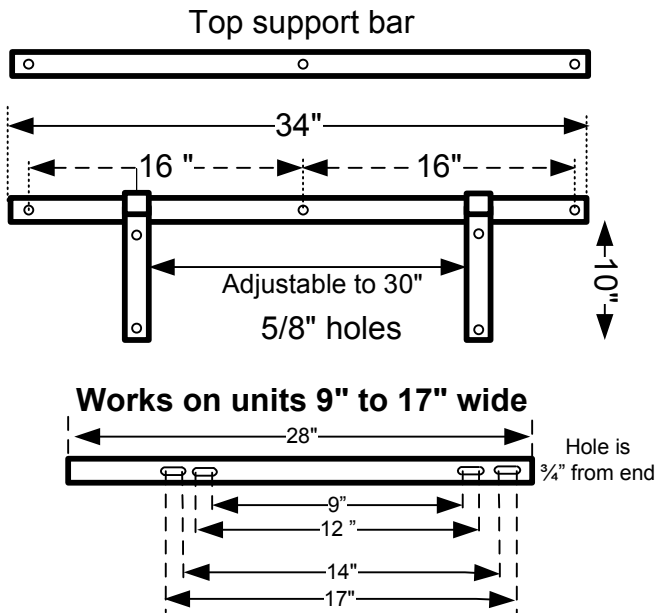
18550 County Rd. 81
Maple Grove, MN 55369
763-428-3677

Mini Split Wall Bracket

- Powder coat finish
- Rust resistant
- Sturdy wall bracket
- Hardware included
- 500 lb Max

Part # MWB2830

Hook and slide adjustable
Mini Split Wall Brackets



Mounts on rubber grommets to stop vibration

Hardware Include:

- 4- 5/16 x 1 1/4 flanged bolts
- 4- 5/16" flanged nuts
- 3- 1/2" x 4" anchor bolts w/washer
- 3- 1/2" x 4" Lag bolts w/washer (wood mount)
- 4- 1 1/2" x 1/2" rubber grommets

Instructions:

1. Slide hooked end of L shape bracket over the top bar.
2. Secure top bar to wood or concrete.
3. Spread leg to desired width and tighten bolts.
4. Insert rubber grommets in slotted holes.
5. Bolt unit to the bracket with 5/16 x 1 1/4" flange bolt