



Supreme Stands
for HVAC Equipment

18550 County Rd. 81
Maple Grove, MN 55369
763-428-3677

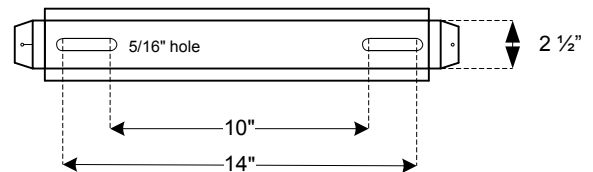
Mini Split Heat Pump Stand

MIN1627 (12" high)

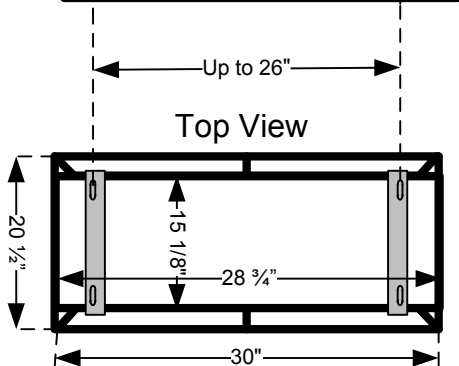
- Powder coat finish
- Rust resistant
- Stackable for space
- Fits 36 x 24" pad
- Hardware Included
- 400 lb capacity



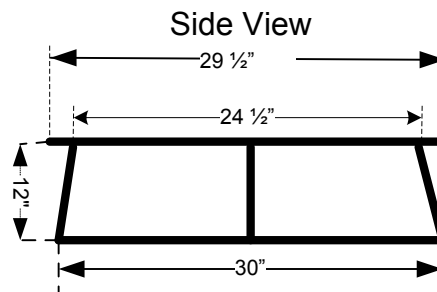
Adjustable top plate



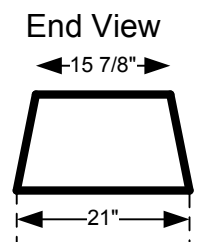
Slide rail to proper width



Top View



Side View



End View