



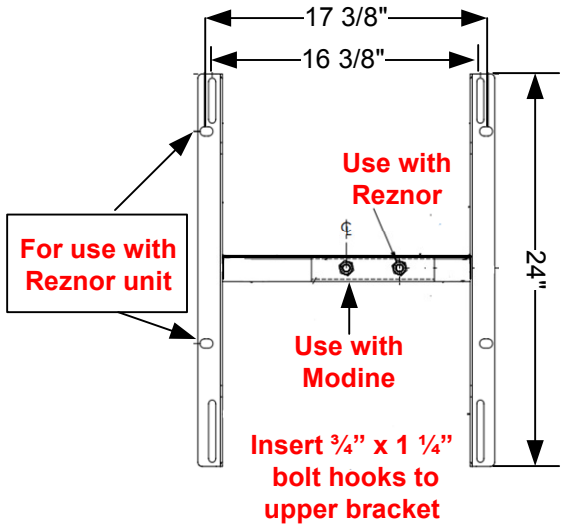
Supreme Stands
for HVAC Equipment

18550 County Rd. 81
Maple Grove, MN 55369
763-428-3677

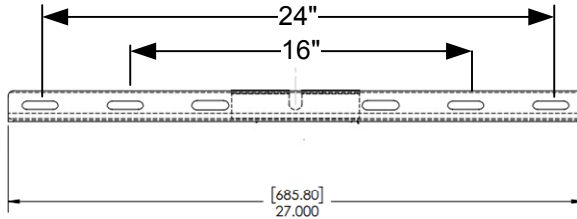
Unit Heater Bracket

Part Number: UH24-UNV

- Mount upper bracket to ceiling
- Attach lower bracket to unit
- Simply hook unit to upper bracket and tighten
- Hardware included with powder coat finish
- Rotates to any angle
- Carriers up to 400 lb.
- Works with Modine, Reznor, Sterling and most brands



Lower Bracket (bolts to unit)
using 3/4 x 3/8" bolts & washers



Ceiling Bracket (bolts to ceiling)
Using 2 1/2" x 3/8 lag bolts & washers

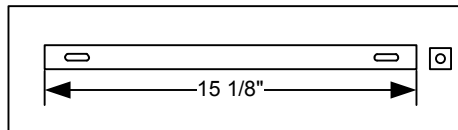
Hardware included

- 1- 1/2" x 1-1/4" flange bolt
- 2- 2 1/2" x 3/8 lag bolts
- 4- 3/4 x 3/8 bolts
- 4- 3/8 locking nuts
- 10- 3/8 bonded washers
- 2- safety brackets to level unit

Available parts
for Modine
& Reznor

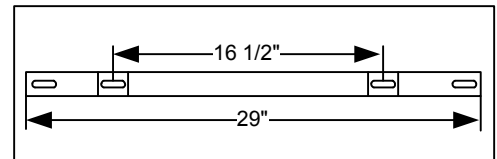
Part #
R-Angle
M-Angle

Modine
HD100 & 125 requires
Part # M-Angle



- Hardware included
- 4- 3/4 x 3/8 bolts
 - 4- 3/8 locking nuts
 - 8- 3/8 bonded washers

Reznor
UDX150-400 requires
Part # R-Angle



- Hardware included
- 4- 3/4 x 3/8 bolts
 - 4- 3/8 bonded washers



Modine Hot Dawg
30 to 75,000 btu



Modine Hot Dawg
100 to 125,000 btu
Use M-Angle



Reznor UDX & UDZ
30 to 125,000 btu



Reznor UDX & UDZ
150 to 400,000 btu
Use R-Angle