



Supreme Stands
for HVAC Equipment

18550 County Rd. 81
Maple Grove, MN 55369
763-428-3677

Reversible Heat Pump Stand

Lennox Heat Pumps

- Reversible
- Powder coated
- Custom fit
- Looks professional
- Durable
- Holds up to 2,000 lbs.
- Stackable (less space)
- Pallet quantity (42)



Why under AC's

- Easier to service
- Keep dogs from urinating on unit
- Protect from mowing and weed whipping
- Keep mice out of unit
- Low ground or flooding

Part UNV2430 w/bracket fits

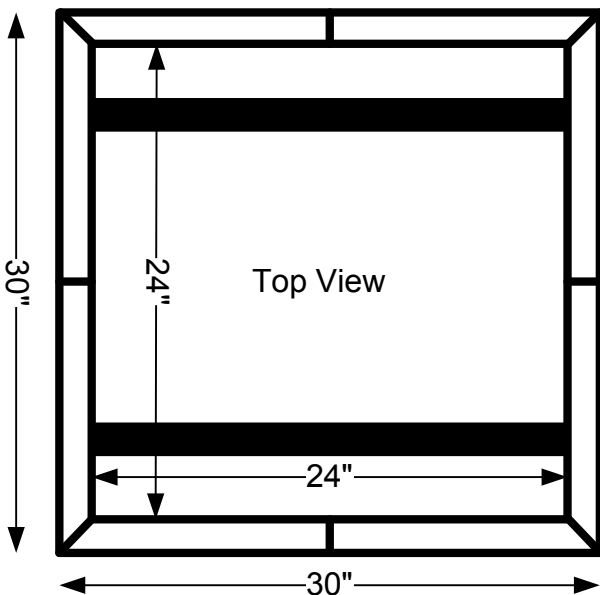
XP25, XP21, XP17, XP16, XP14, XP13, HPX14 units

24 x 24" & 28 x 28" units Lennox units

27 x 28" units

30 x 35 & 35 x 39" units

32 x 32" units



Telescoping Bracket
Bracket can go on both sides
Universal Stand (works on all)

