



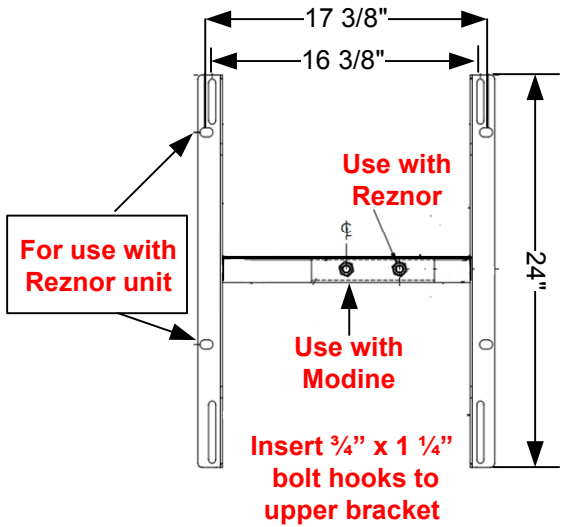
Supreme Stands  
for HVAC Equipment

18550 County Rd. 81  
Maple Grove, MN 55369  
763-428-3677

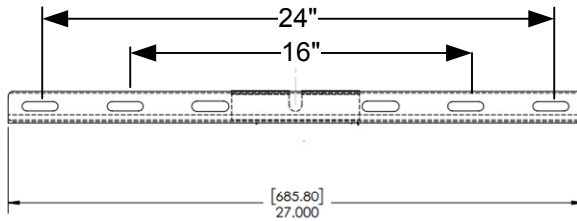
# Unit Heater Bracket

Part Number: UH24-UNV with M Angle

- Modine Hot Dawg HD 30 to 125,000 btu's
- Mount upper bracket to ceiling
- Attach lower bracket to unit
- Simply hook unit to upper bracket and tighten
- Hardware included with powder coat finish
- Rotates to any angle
- Carriers up to 400 lb.



Lower Bracket (bolts to unit)  
using 3/4 x 3/8" bolts & washers

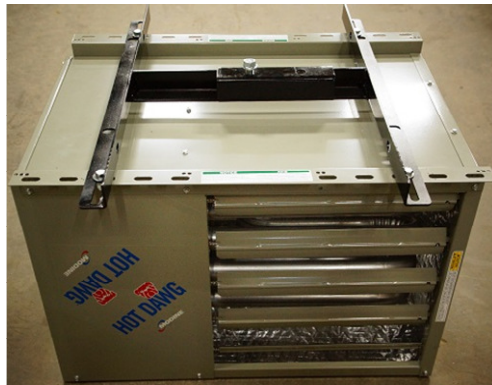


Ceiling Bracket (bolts to ceiling)  
Using 2 1/2" x 3/8 lag bolts & washers

Hardware included

- 1- 1/2" x 1-1/4" flange bolt
- 2- 2 1/2 x 3/8 lag bolts
- 4- 3/4 x 3/8 bolts
- 4- 3/8 locking nuts
- 10- 3/8 bonded washers
- 2- safety brackets to level unit

Modine Hot Dawg  
30 to 75,000 btu



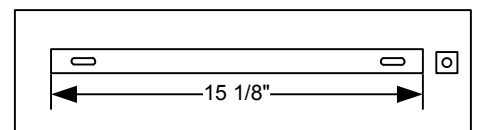
Part # RW-3/4

This ratcheted-end wrench works best

Modine Hot Dawg  
100-125,000 btu requires  
Part # M-Angle



Optional  
Part # M-Angle



Hardware included

- 4- 3/4 x 3/8 bolts
- 4- 3/8 locking nuts
- 8- 3/8 bonded washers